



**DIGITRONICS SOLUTION**  
**Technically Power**

**Sales Office India**

Email: [info@digitronicssolution.com](mailto:info@digitronicssolution.com)

Website: [www.digitronicssolution.com](http://www.digitronicssolution.com)

Office: 301 Samad Arcade, Near Kausa  
Kabrastan, Kausa Mumbra-400612.

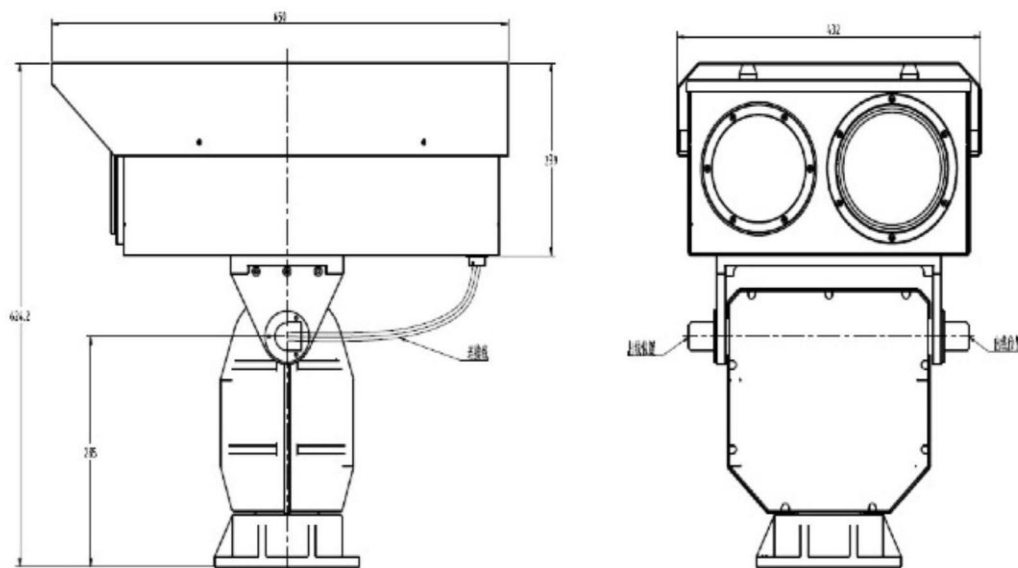
Office: +91 9768234946, +91 8452871967,  
+91 70218 29855, +91 90048 61466.



## Main Features

- ☆ Thermal camera+ HD camera IP output
- ☆ Image enhancement function (DDE) improve detection ability
- ☆ Multi-definite modes to meet different detection application
- ☆ Anti-wind structure design, power-off self-locking function, stable operation at low speed
- ☆ Integrated professional shield, all-weather environmental design, high degree of protection, IP66
- ☆ Support onvif control protocol

## Product Size Picture



## Application Scenarios



## Item

## DG-RS Series

## Thermal Imaging Camera

Detector type	Uncooled Vanadium Oxide (VOX)
Spectral range	8-14um
Pixels	640x512
NETD	≤40mK@f/1.300K
Pixel Pitch	17um
Focus length	75mm,100mm,150mm,30-150mm ,25-225mm continuous zoom lens for option
Video output	PAL
Frame rate	50Hz
Digital zoom	1-16 times stepless magnification, and any area magnification
Image polarity	14 pseudo-colors such as black heat/white heat/iron red/ rainbow etc
Noise reduction function	Support 2D, 3D noise reduction

## Visible Camera

CCD camera	Resolution	1920x1080
	Pick-up device	200MP 1/1.8"CMOS
	Lens	6.1-317mm, 6.1-561mm, 10-945mm for option
	Illumination	Color:0.0005Lux@(F1.4,AGC ON) Black/White:0.0001 Lux@(F1.4,AGC ON)
	Focus	Motor
	Aperture	Auto
	WDR	Yes
	Anti-fog	Yes
	Anti-shake	Yes

## Laser (optional)

Laser	Laser light source	10W,808nm ±10nm	13W,808nm ±5nm	18W,808nm ±10nm
	Distance	1km	2km	3km
	Laser angle	Motorized synchronous zoom, continuously adjustable from 30° to 0.3°	Motorized synchronous zoom, continuously adjustable from 0.8° to 72°	Motorized synchronous zoom, continuously adjustable from 0.3° to 50°
		Far angle 0.8°: effective distance > 1000 meters, spot diameter < 28 meters, near angle 30 degrees: effective distance > 80 meters	Far angle 0.8°: effective distance ≥ 2000 meters, spot diameter 21 meters, near angle 72°: effective distance ≥ 100 meters, spot diameter 53 meters	Far angle 0.3°: effective distance ≥ 3000 meters, near angle 50
Distance angle matching	1. Automatic tracking or manual fine-tuning of smart matching methods. 2. DSS digital stepping lighting angle control technology, 0.1° precise follow-up control. 3. Z-super laser angle and imaging magnification matching algorithm, tracking response time <30ms. SLM dual optical axis self-locking alignment device, the accuracy can reach 0.01°, reserved external alignment window, no need to remove the cover for maintenance.			

## Pan-tilt

Horizontal angle of rotation	0~360°continuously rotation
Vertical angle of rotation	-60°~+60°
Horizontal rotation speed	0.01°~30°/S
Vertical rotation speed	0.01°~12°/S
Preset	200
Auto scan	1
Auto tour	6
Overwatch	Support
Angular return	Support
Material	Aluminum alloy material

## System characteristic

Dimension	680mmx450mmx650mm
Protection level	IP66
Weight	50kg
Working Temp	-20C~55C
Storage Temp	-40C~70C

## Housing

Color	White
Material	Aluminum
Interface	Air interface
Sun shield	Yes
Heat	Built-in temperature sensor automatic control (heating/thermal circulation cooling)

## System interface

Video	1 RJ45 10M/100M
Protocol	ONVIF
Power supply	AC 24V±10%
Power consumption	<200W (With heater)

