

AI-10A

THE FOURTH GENERATION TRUNK LINE OPTICAL FIBER FUSION SPLICER

Signal fire fusion splicer AI-10A is the world's first fourth-generation optical fiber fusion splicer, it combines electric cleaver and fusion splicer as one, with 8-in-1 signal fire stripper, and can be combined with the work bench and table, making it is the world's first real sense, small size, light weight, easy to operate optical fiber fusion splicer.



SIZE AND WEIGHT

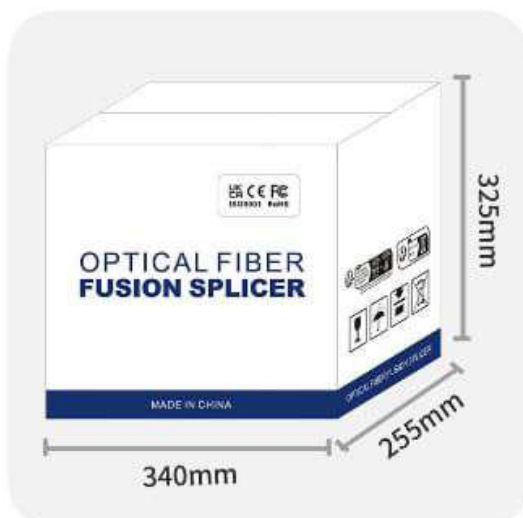


Machine size: 165mm x 255mm x 185mm

Machine weight: 3.09kg

Toolbox size: 165mm x 255mm x 230mm

Weight of toolbox (complete set): 4.50kg



Total size: 340mm x 255mm x 325mm

Total weight: 5.50kg

ACCESSORIES IN THE TOOL BOX



- ① Toolcase
- ② Fusion splicer
- ③ Spare electrode
- ④ signal fire stripper
(Including a bag of cleaning cotton)
- ⑤ Alcohol bottle
- ⑥ Cleaver cleaning cotton swab
- ⑦ Allen wrench
- ⑧ Brush
- ⑨ Climbing combination hanging chain
- ⑩ Toolbox strap
- ⑪ Belt
- ⑫ Power adapter
- ⑬ User's manual / Quality Certificate / Warranty Card / Fiber for ARC

BASIC PARAMETER

Fiber alignment	Core/cladding
Motor number	6 motors
Splicing time	6s
Heating mode	15s, can be customized according to the external environment
Fiber type	Single-mode fiber (SMF/G.652), BIF/G.657); Suitable for single mode, multi-mode, bare fiber, tail fiber, drop cable, jumper, invisible optical fiber.
The cladding diameter	80-150 μ m
Splicing loss	0.02dB (SM) , 0.01dB (MM) 0.04dB (DS/NZDS)
Splicing mode	Automatic focusing core alignment, conventional/high precision splicing
Splicing way	Automatic, semi-automatic,manually
Fiber cleaver	Equipped with electric high-precision cleaver
Fiber holder	Three in one fixture, no need to change, suitable for single/multi-mode, multi-core cable/bare fiber, tail fiber, jumper fiber,drop cable
VFL	The machine comes with power: 15mW, 2Hz flashing and steady on mode
OPM	Wavelength: 850nm; 1300nm, 1310nm, 1490nm, 1550nm, 1625nm/Measurement range: -50+30dbm Absolute error: <0.3dB (-50dbm ~+3dBm range)
Battery capacity	7800mAh large capacity lithium battery charging time \leq 3.5; It can continuously weld and heat about 240 cores
Magnification	320x (X or Y axis single display) , 200x (x and Y axis dual display)
Fiber diameter	Coating diameter: 80-150 μ m/Coating diameter: 100-1000 μ m
Cutting length	Coating layer 250 μ m below: 8-16mm/coating layer 250-1000 μ m: 16mm
Heat shrink tube	60mm、 50mm、 40mm、 25mm
Tensile testing	standard 2N
display	5 inch TFT color display screen
Boot time	1s, boot can enter the working mode
Data is stored	Unlimited, machine storage 1000 groups, the excess part can be stored in the server, can export data.
Wireless communication	Based on bluetooth 4.2 protocol standard, the working band is 2.4GHz, the maximum transmission range is 60m
Software upgrade	Mobile phone APP Internet update, enable Bluetooth synchronization upgrade machine software
Management function	The equipment owner can be bound as the highest authority, and can remotely view the splicing records, splicing time, loss, etc. through the mobile phone APP. The number of splicing times or working time of the equipment can be set. The manager can effectively manage a single or multiple equipment.
Return loss	Better than 60 db
Product protection	Waterproof, dustproof and fall proof
Power supply	Input AC100-240V 50/60Hz, output DC13.5V/4.8A, the current power mode can be identified, real-time monitoring of the current battery level
The work environment	Temperature: -15 ~ +50 $^{\circ}$ C, humidity: < 95%RH (no condensation), working altitude: 0 ~ 5000m, maximum wind speed: \leq 15m/s

COMBINATION HANGING CHAIN CLIMBING HOMEWORK



OUTDOOR SPLICING FIBER COMPACT AND PORTABLE



Toolbox size

255mmx 165mm x 230mm



Weight of toolbox (complete set)

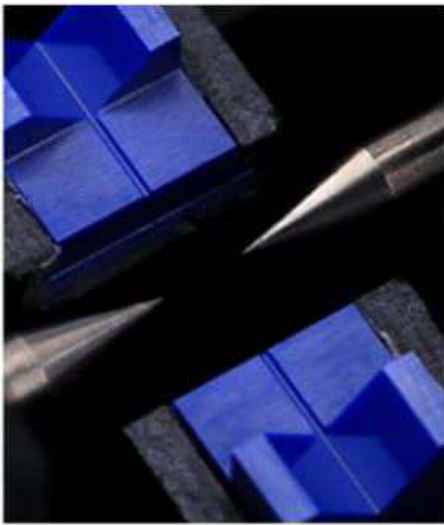
4.50kg

ULTRA THICK PROTECTIVE RUBBER PAD

Thickened buffer structure provides maximum protection



EXQUISITE DETAILS



The buttons are clear and beautiful



3-IN-1 UNIVERSAL FIBER HOLDER

SM, MM, bare fiber, pigtail, Drop cable , multi fiber cable



Jumper fiber
(pigtail)



Drop cable



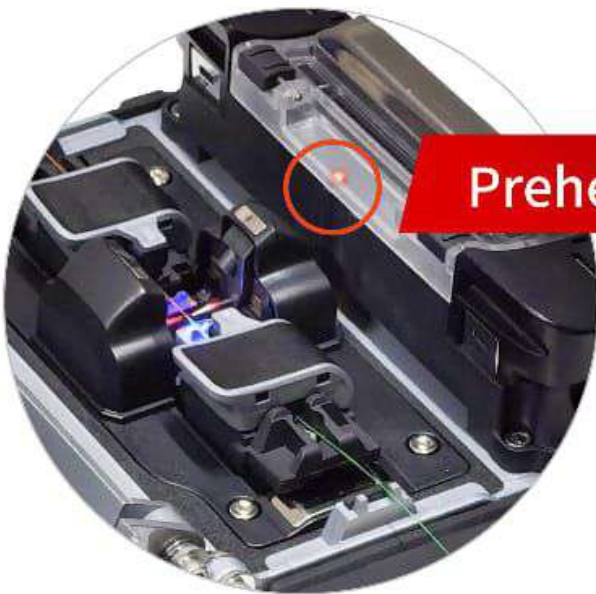
Bare fiber

COOLING RACK

Expandable and closable



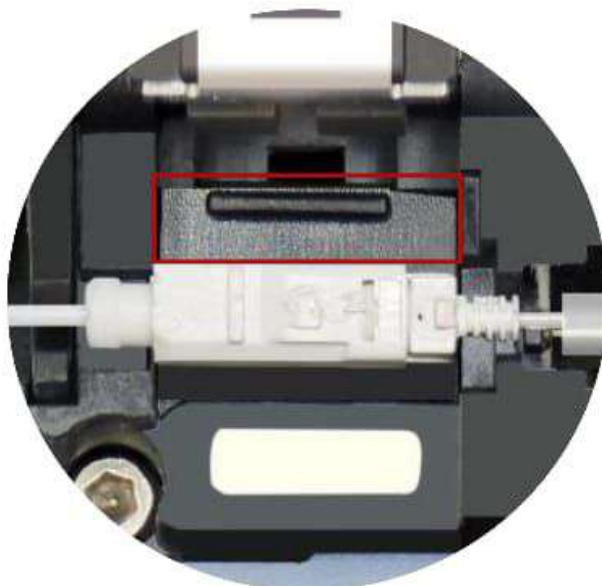
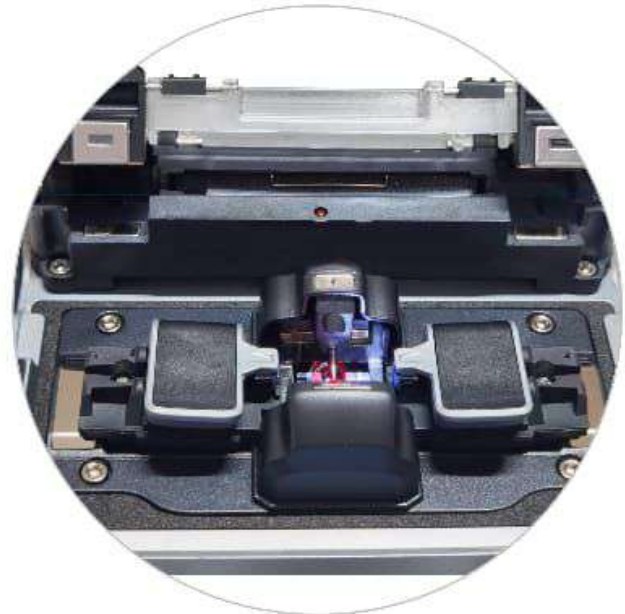
15S AUTOMATIC HEATING



Preheating

Successful fiber spliced. When opening the windproof cover to take out the fiber, the machine turns on pre heating for up to 6 seconds

Heating part automatic lid closing



Heating part compatible with SC fiber

SC Fiber: Push up

Ordinary fiber: Push down

7800MAH LITHIUM BATTERY

Dual charging path Charging time ≤ 3.5 hours

In full state, 240 cores can be continuously fused and heated



Charging channel ①

Input voltage : $13.5 \pm 0.5V$
Input current : 4.8A

Power indicator
light

Charge indicator
light

Indicator light turns
off when fully charged

Press to check
the power level

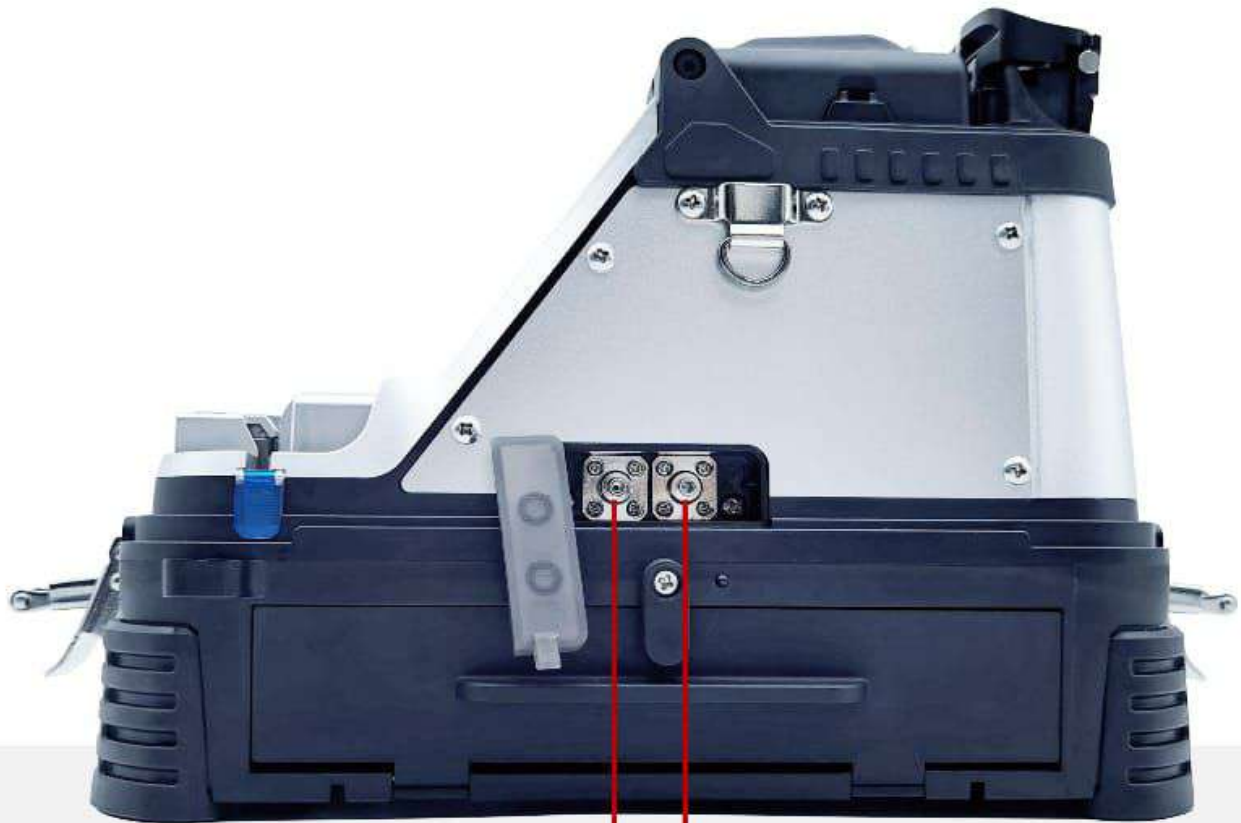
Press to popup
the battery

Press the button and the battery will pop up slightly Can
charge the battery separately

Charging channel ②

BUILT-IN VFL AND OPM FUNCTION

Effectively measure connection losses, verify continuity,
and help evaluate fiber link transmission quality



OPM(Measurement
range: -50+30dbm)

VFL(10km)

OPM

Switch between six states

Wavelength: 850nm; 1300nm, 1310nm,
1490nm, 1550nm, 1625nm

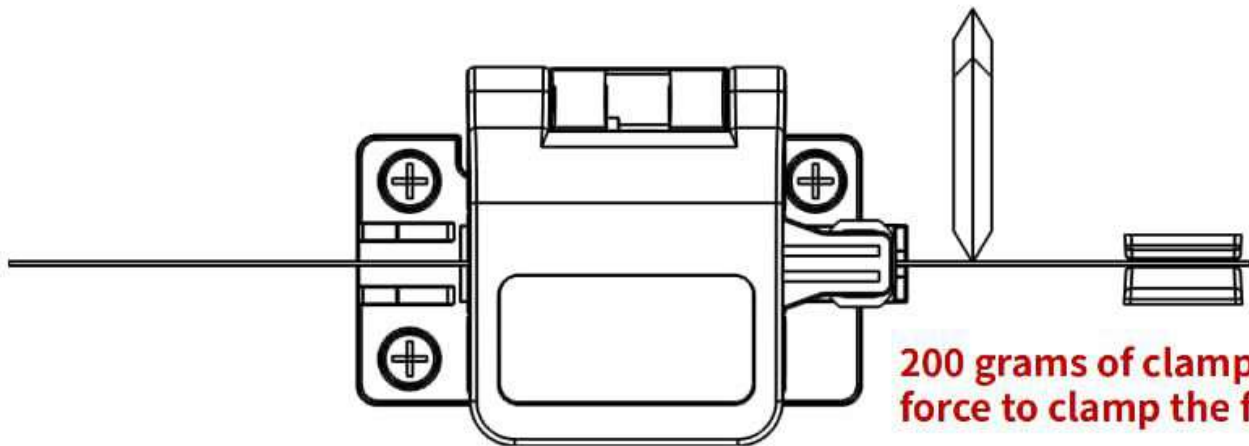
VFL

Switch between three states

power: 15mW, 2Hz flashing and steady on mode

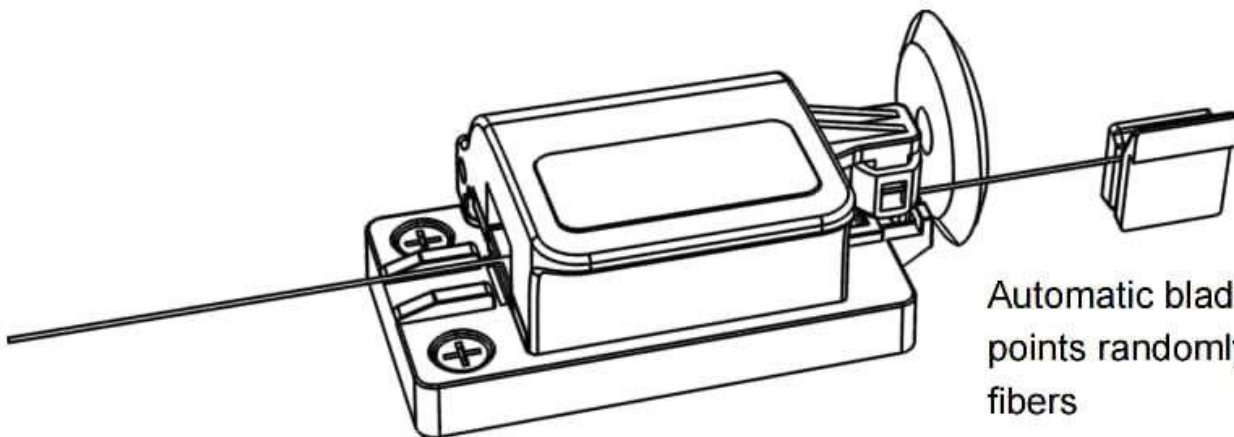
NO BLADE RESURFACING MAINTENANCE FREE

Patented technology for precise cutting



200 grams of clamping force to clamp the fiber

Ensure that the optical fiber is straight and not damaged

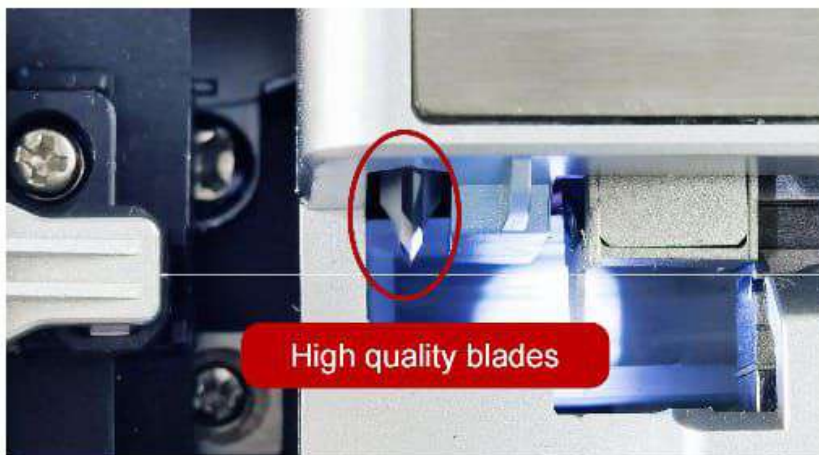


Automatic blade rotation Cut points randomly cut optical fibers

No blade refacing is required

The key to the quality of splicing fiber is not only the quality of the fusion splicer, but also the cleaver and various auxiliary tools are very important, especially the trouble-free time of the fiber cleaver and the average cutting quality, to a large extent, determine the real splicing quality and splicing efficiency.

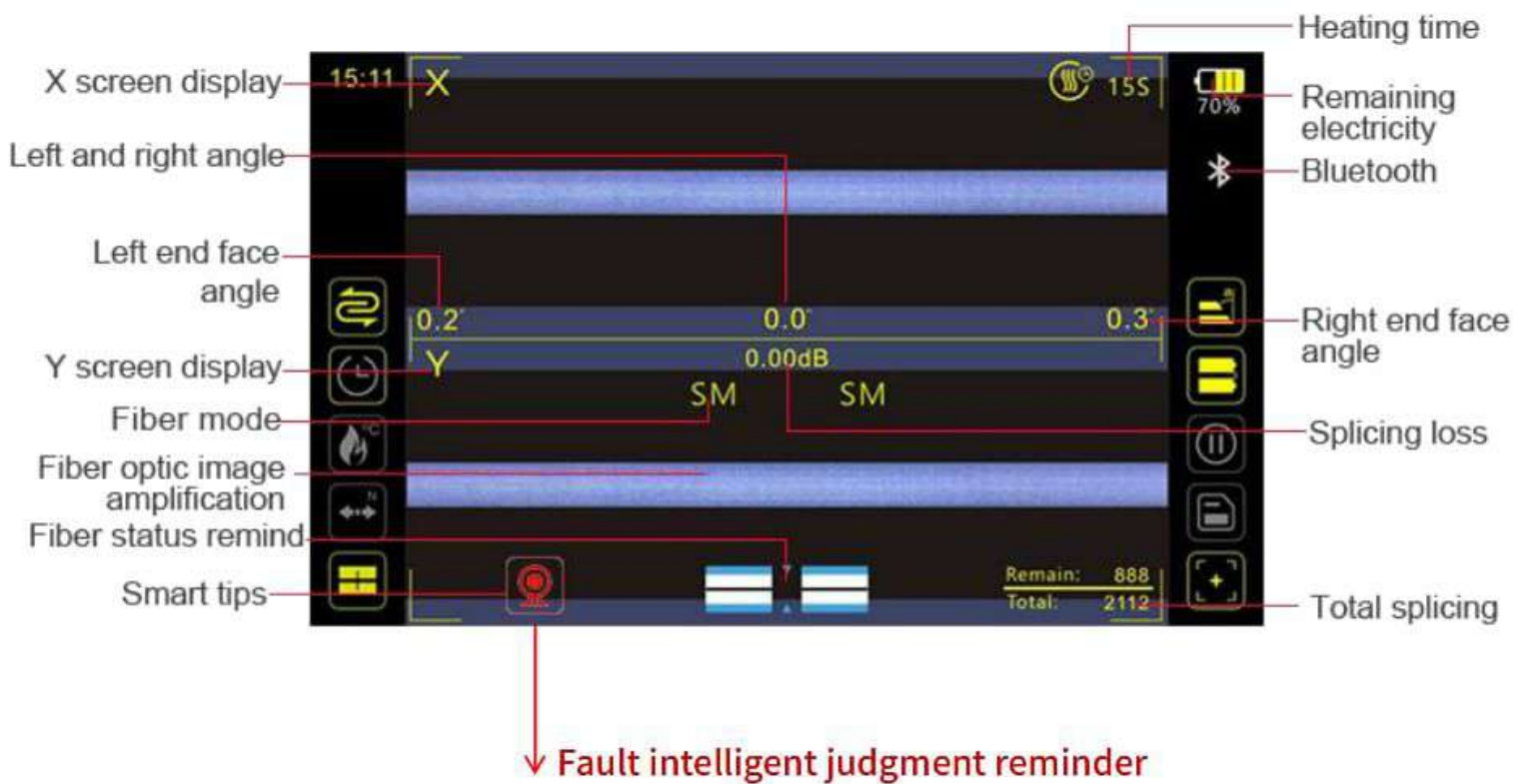
EQUIPPED WITH ELECTRIC HIGH-PRECISION CLEAVER



- After optical fiber is placed, the cover closed and automatically cut
- The blade cuts at a random point

DISPLAY 5 INCH TFT COLOR DISPLAY SCREEN

320X (X or Y axis single display) 200X (X and Y axis dual display)



Camera failure



Core align failed



Focus failed



ARC calibration failed



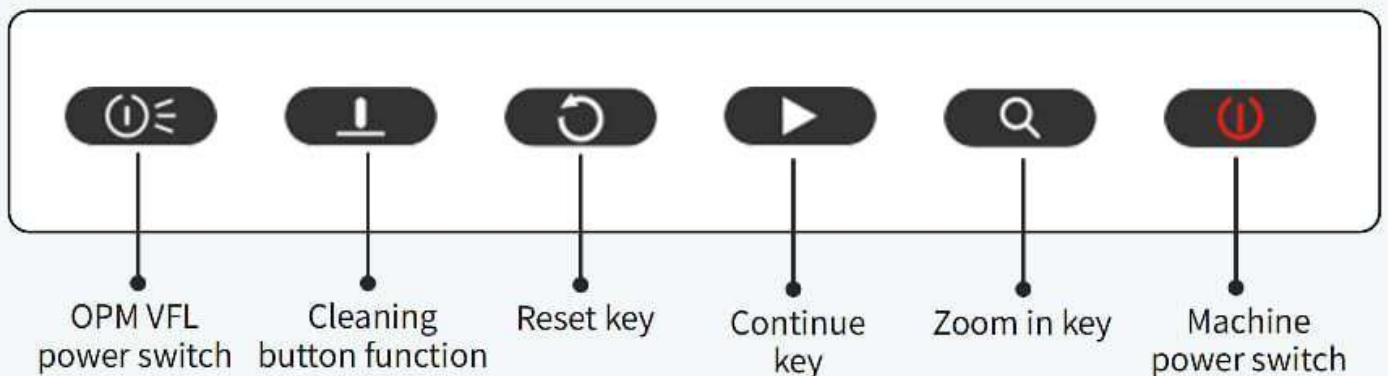
Left and right fiber does not match



The lens is foggy or foreign body interference



The buttons are clear and beautiful



AI-10A

THE FOURTH GENERATION TRUNK LINE OPTICAL FIBER FUSION SPLICER

Signal fire AI-10A optical fiber fusion splicer uses a number of patents, the full weight of the main machine, the toolbox and a complete set of accessories is only 4.5KG, and the toolbox size is 25.5cmx16.5cm x23cm. In such a small and compact case, the combined design of bench and bench is realized at the same time. Industrial CPU, running speed is super fast, 6 seconds fast splicing, 15 seconds heating, 5 inch color HD LCD screen, 320 times magnification, 7800mAh large capacity lithium battery can splice and heat 240 cores, in high altitude, dry, cold and other harsh environments still perform well.



Can be used as a bench
outdoor construction
is also easy



Host support /
protection console



Equipped with 8-in-1
signal fire stripper